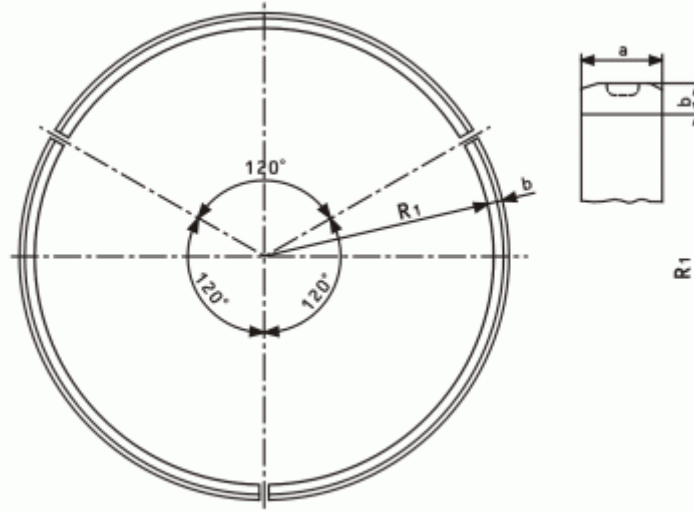




Type U Split-Ring



Unit: mm

Nominal size	Dimensions			Weight (kg)
	R <sub>1</sub>	a	b	
700	368.5	55	21	19.0
800	420.0	55	21	21.6
900	471.5	55	21	25.8
1000	522.5	60	21	29.3
1100	574.0	60	21	32.1
1200	625.0	60	21	34.9
1350	702.0	70	21	45.9
1500	779.0	75	21	54.6
1600	827.0	55	25	50.5
1650	852.5	55	25	52.0
1800	926.0	55	25	56.4
2000	1032.5	60	25	68.7
2100	1084.0	65	25	78.3
2200	1142.0	70	25	88.9
2400	1231.0	80	25	99.8
2600	1344.0	105	30	141.0

Note: The shape of dotted line of the ring show the nom. size of 2600mm.